

Lomo23

TOSOT

MODEL: TW24HQ2A3D

Project Name:

Engineer Name:

Unit Designation:

Submitted To:

Date:

Location:

Purchaser:

Schedule No.:

General Features

- Smart 1 Hertz Inverter Technology
- Low Ambient Cooling to 5 °F
- Multiple Fan Speeds
- Memory Function
- Fan Delay Function
- Intelligent Pre-heating / Defrost



- Gold Fin Condenser
- Low Voltage Start-up
- High And Low Pressure Protection Features
- Load Protection Features
- Over-Current Protection
- Anti Freeze Protection

Unit Performance:

Cooling:	-	-
Capacity (Min Rated Max, Btu/h)	6,820-22,000-27,000	
SEER		20
EER		12.5
Heating:	-	-
Capacity (Min Rated Max, Btu/h)	6,820 -23,000- 30,710	
HSPF		10
COP (W/W)		3.37

Compressor

Cooling Operation Ambient temp. Range	5~115 °F
Heating Operation Ambient temp. Range	-5~75 °F
Compressor Type	Rotary
Compressor RLA (A)	11.5
Crankcase Heater	Yes

Unit Specification

Refrigerant Type	R410A
Refrigerant Charge (oz)	77.6
ODU Sound Pressure (dB(A))	59
IDU Sound Pressure (dB(A))	36 / 48
ODU Net Weight (lbs)	142
IDU Net Weight (lbs)	34.2
Dehumidifying (Pint/h)	4.23

Electrical Specification

Power Supply	208-230V / 60Hz
Communications Wire Size	AWG 14
MOP (A)	30
MCA (A)	20
Cooling Rated Amps (A)	14.49
Heating Rated Amps (A)	14.49
Compressor RLA (A)	11.5
Indoor Fan Motor RLA (A)	0.38
Outdoor Fan Motor RLA (A)	0.65
Nominal Cooling Power Input (kW)	1.76
Nominal Heating Power Input (kW)	2

Fan

ODU / IDU Type	Axial-flow/Cross-flow
Fan Motor Output (W)	92
Motor/Drive	Direct Drive
ODU Max Air Flow Rate (CFM)	4000
IDU Air Flow Rate (CFM)	530 / 706

Piping

Liquid Line (in, OD)	1/4
Gas Line (in, OD)	5/8
Additional Refrigerant (oz./ft.)	0.5
Max Pipe Length (ft.)	82
Piping Length (with factory charge, ft.)	24.6
Max Elevation (ft.)	49

AHRI certification Ref #



Capacity Variation Ratio According to Temperature

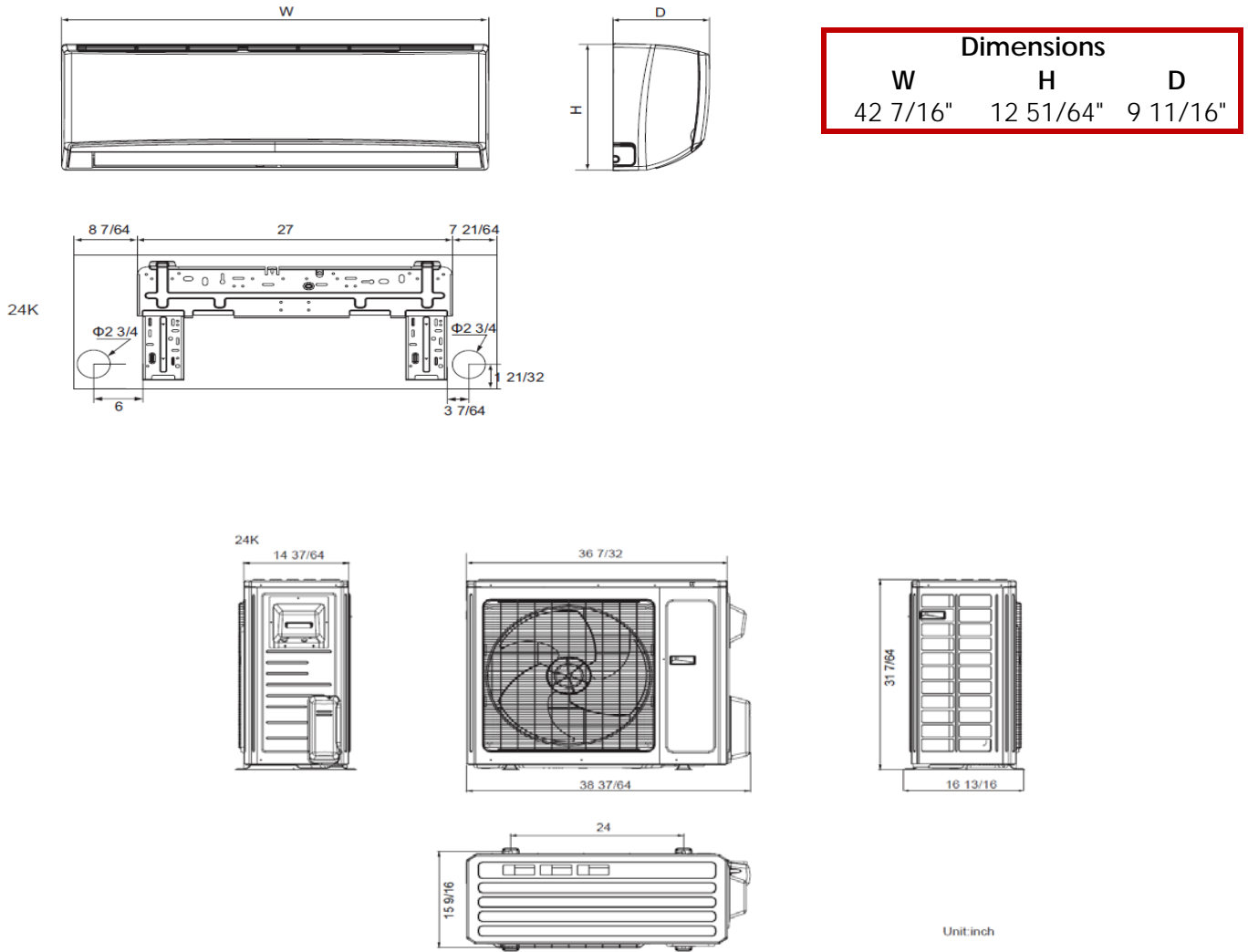
COOLING PERFORMANCE (BtuH)*									
Outdoor Ambient DB	Indoor Ambient Temperature								
	68F DB (20C)		73F DB (23C)		80F DB (27C)		82F DB (28C)		
	57F WB (14C)		61F WB (16C)		67F WB (19C)		68F WB (20C)		
	TC	SHC	TC	SHC	TC	SHC	TC	SHC	
5°F	11,904	9,336	12,576	9,859	14,193	11,132	14,619	11,402	
14°F	14,285	11,204	15,091	11,831	17,031	13,358	17,542	13,683	
23°F	15,651	12,277	16,740	13,131	19,181	15,044	19,756	15,410	
32°F	16,198	12,707	17,326	13,591	19,852	15,570	20,448	15,949	
41°F	16,765	13,151	17,933	14,066	20,547	16,115	21,163	16,507	
50°F	17,352	13,612	18,560	14,559	21,266	16,679	21,904	17,085	
59°F	18,979	14,885	20,300	15,921	22,233	17,433	22,900	17,862	
68°F	21,494	16,858	22,838	17,909	24,405	19,141	25,137	19,607	
77°F	21,241	16,662	22,592	17,720	24,181	18,967	24,907	19,427	
86°F	20,196	15,838	21,539	16,896	23,510	18,438	24,215	18,888	
95°F	19,114	14,991	20,450	16,034	22,390	17,561	23,062	17,988	
104°F	18,188	14,265	19,517	15,308	21,808	17,108	22,462	17,520	
113°F	17,255	13,532	18,584	14,575	20,882	16,374	21,509	16,777	
HEATING PERFORMANCE (BtuH)*									
Outdoor Ambient DB	Indoor Ambient Temperature								
	68F DB (20C)		73F DB (23C)		80F DB (27C)		86F DB (30C)		
	57F WB (14C)		61F WB (16C)		67F WB (19C)		72F WB (22C)		
	TC	SHC	TC	SHC	TC	SHC	TC	SHC	
-4°F	13068	13068	12848	12848	12465	12465	12329	12329	
0°F	14160	14160	13924	13924	13509	13509	13351	13351	
6°F	14938	14938	14687	14687	14249	14249	14082	14082	
10°F	15559	15559	15300	15300	14844	14844	14671	14671	
16°F	16030	16030	15763	15763	15293	15293	15111	15111	
19°F	16337	16337	16070	16070	15591	15591	15402	15402	
24°F	18176	18176	17901	17901	17367	17367	17240	17240	
32°F	20313	20313	20038	20038	19441	19441	19378	19378	
41°F	22757	22757	22490	22490	21819	21819	21822	21822	
43°F	23370	23370	23095	23095	22406	22406	22435	22435	
47°F	23516	23516	23108	23108	22420	22420	22104	22104	
53°F	23749	23749	23334	23334	22639	22639	22323	22323	
59°F	24294	24294	23865	23865	23154	23154	22832	22832	
64°F	24811	24811	24374	24374	23648	23648	23319	23319	
70°F	25277	25277	24840	24840	24100	24100	23763	23763	
75°F	25633	25633	25182	25182	24432	24432	24091	24091	
* Maximum system capacity									
TC- Total Capacity (BtuH)									
SHC- Sensible Capacity (BtuH)									

Lomo23

TOSOT

MODEL: TW24HQ2A3D

Outline Dimension Diagram



Approved By:

Signature

Date

TOSOT

315 Boulevard Industriel, Châteauguay, Contact: +1 (450) 698-4000
QC, Canada J6J 4Z2 info@tosotamerica.com
tosotamerica.com